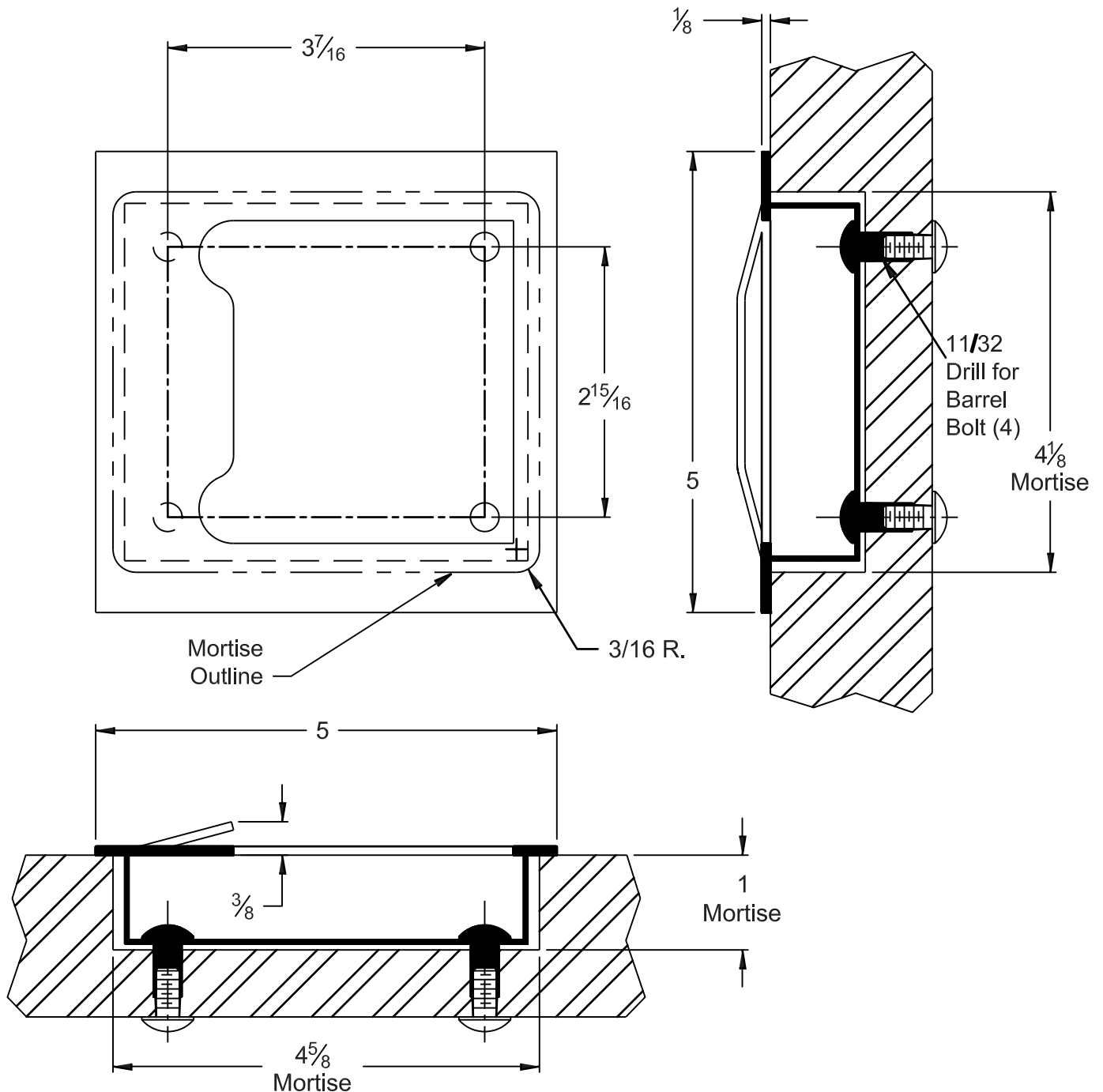


460 FLUSH PULL TEMPLATE

Mortise Dimensions:
4 1/8 x 4 5/8 x 1 Deep



NOTE: Due to occasional product changes, please ensure your template is current by checking our website at www.burnsmfg.com or call us at 814-833-7428. Burns Mfg. is not responsible for obsolete template errors.

Date: 4/10 - Rev. 1