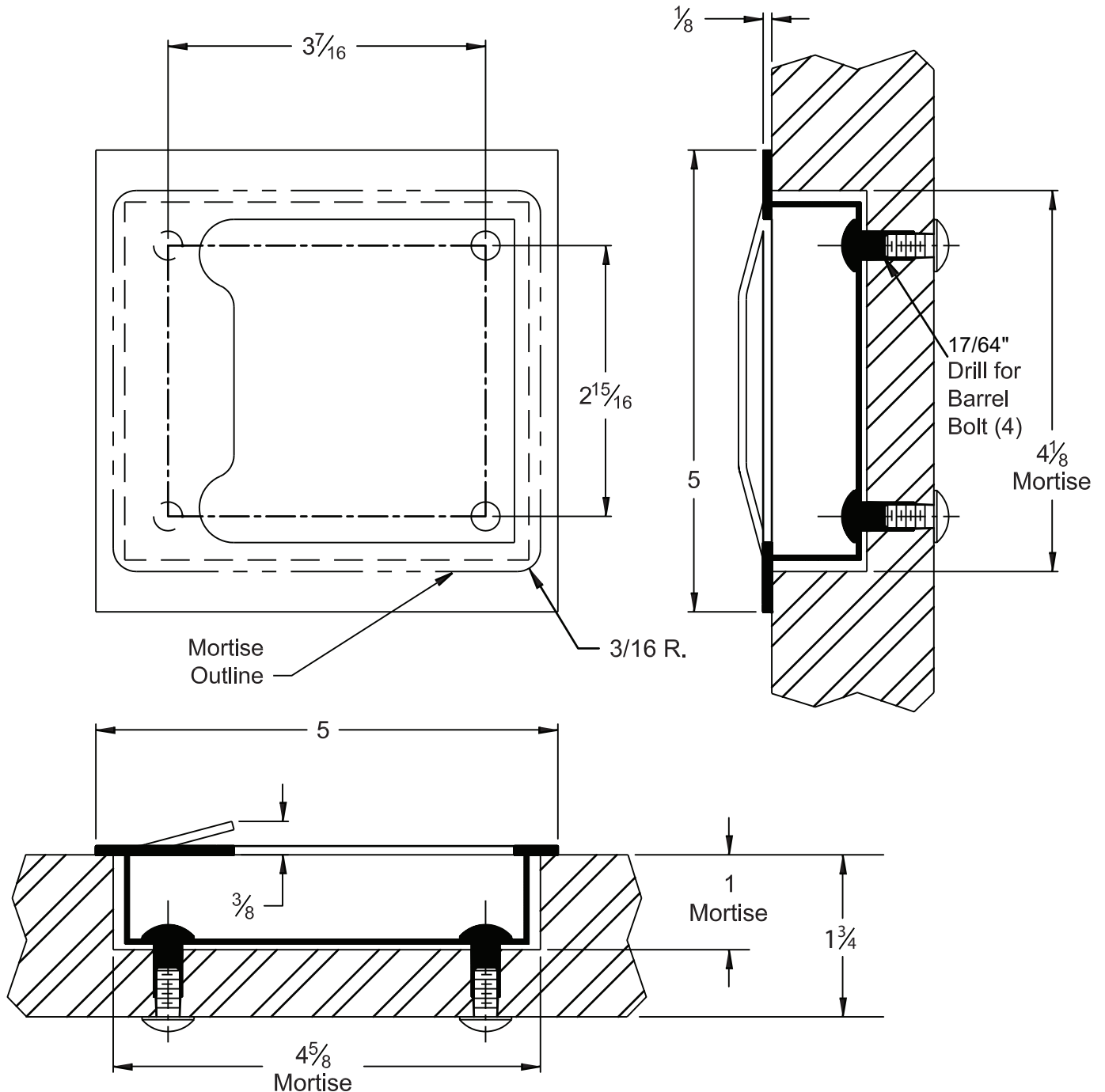


460 FLUSH PULL TEMPLATE



ADA Compliant -
Wheelchair Accessible

Mortise Dimensions:
 $4 \frac{1}{8} \times 4 \frac{5}{8} \times 1$ Deep



NOTE: Due to occasional product changes, please ensure your template is current by checking our website at www.burnsmfg.com or call us at 814-833-7428. Burns Mfg. is not responsible for obsolete template errors.

Date: 07/16- Rev. 3