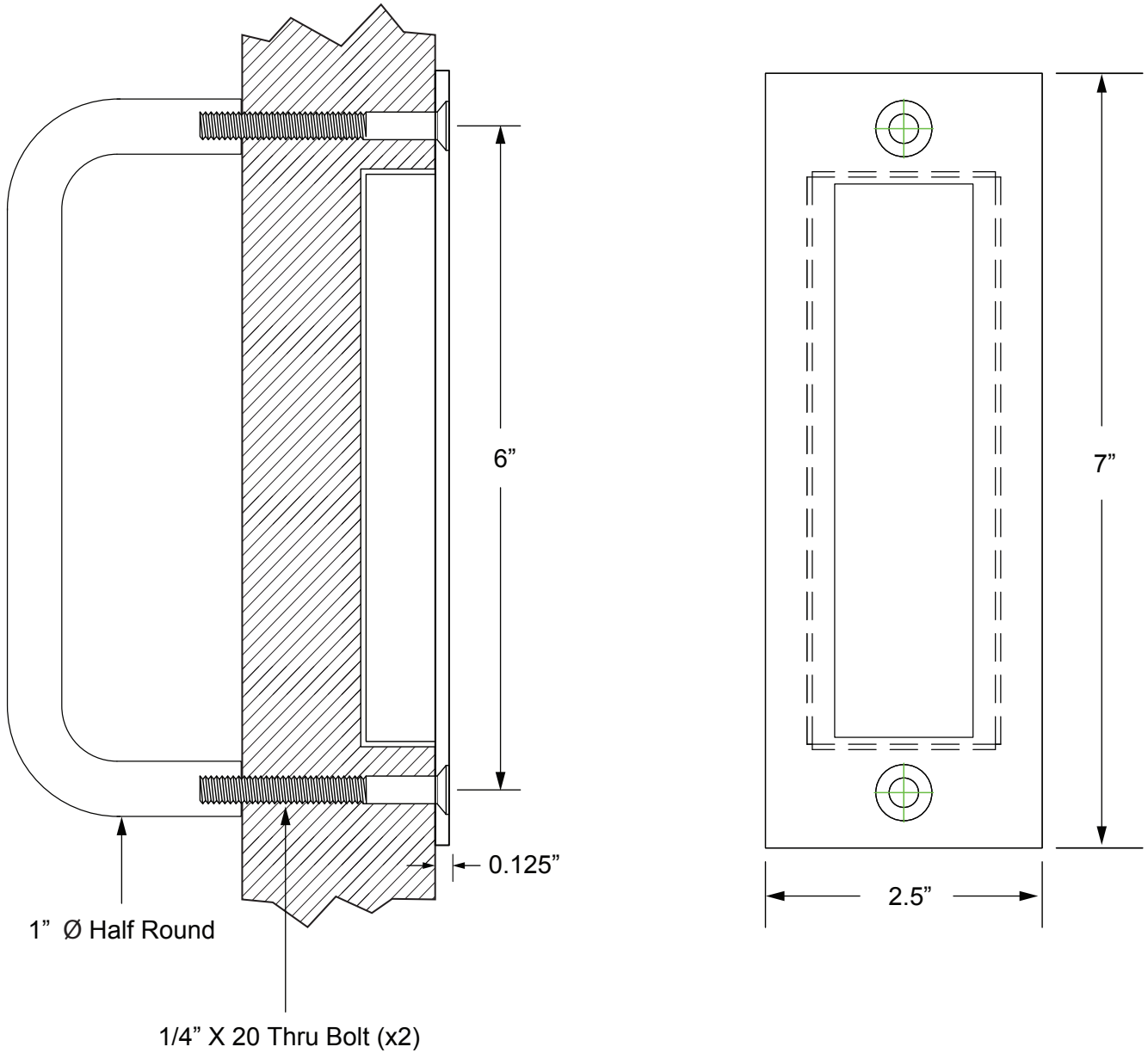


2521A BARN DOOR HARDWARE TEMPLATE



MORTISE: 2" WIDE X 5-1/4" TALL X 7/8" DEEP X 1/4 \varnothing

GRIP HOLES: 5/16" \varnothing

NOTE: Due to occasional product changes, please ensure your template is current by checking our website at www.burnsmfg.com or call us at 814-833-7428. Burns Mfg. is not responsible for obsolete template errors.

Date: 08/18 - Rev. 1