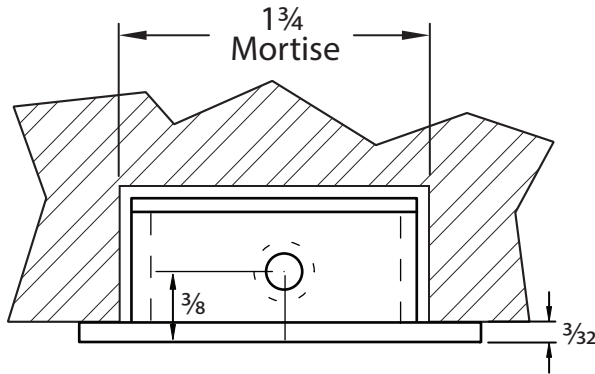
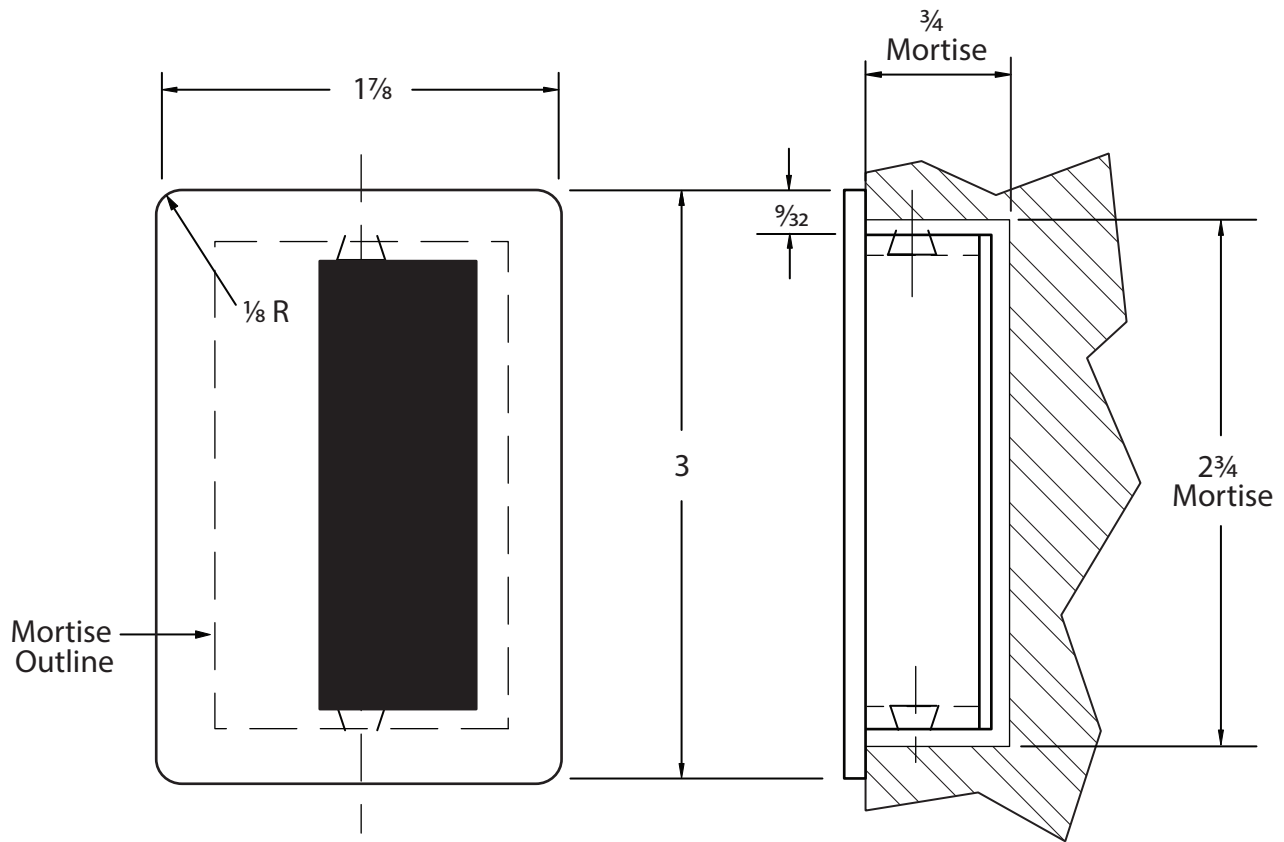


**457 CAST FLUSH PULL TEMPLATE**



Size: 1 7/8 x 3 Outside Dimensions  
Finish: US26D with Black Cup  
Mortise in Door: 1 3/4 x 2 3/4 x 3/4 Deep



**NOTE:** Due to occasional product changes, please ensure your template is current by checking our website at [www.burnsmfg.com](http://www.burnsmfg.com) or call us at 814-833-7428. Burns Mfg. is not responsible for obsolete template errors.

**Date:** 12/15 - Rev. 2