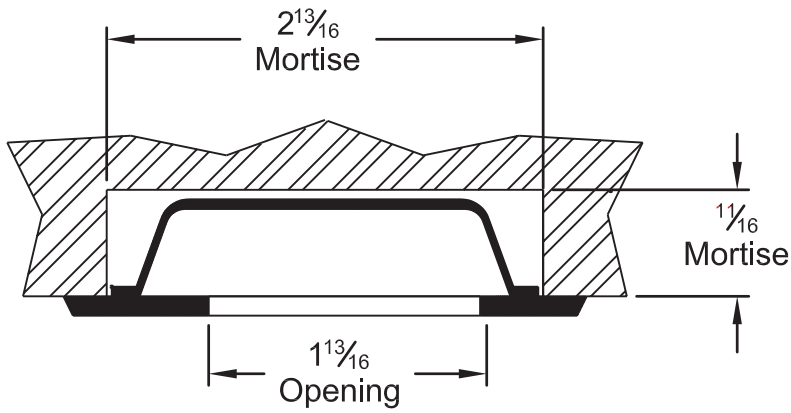
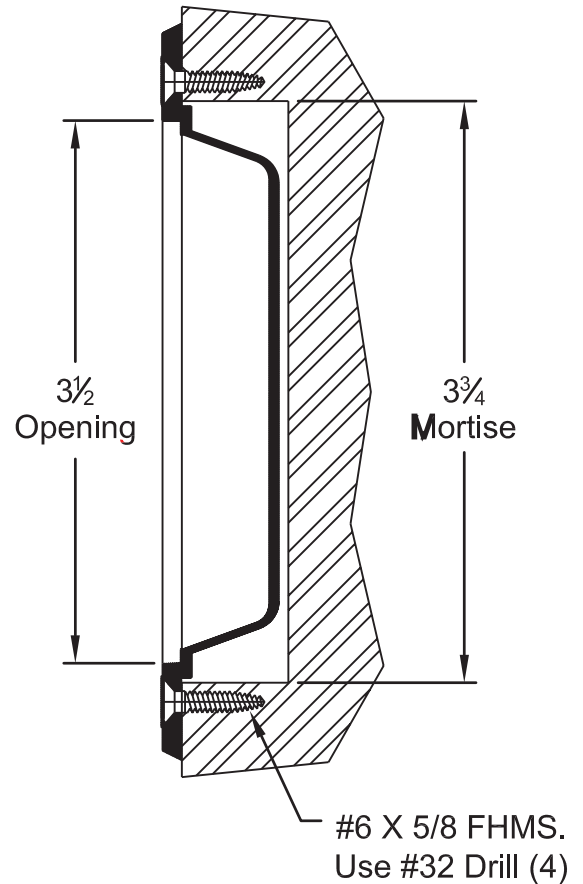
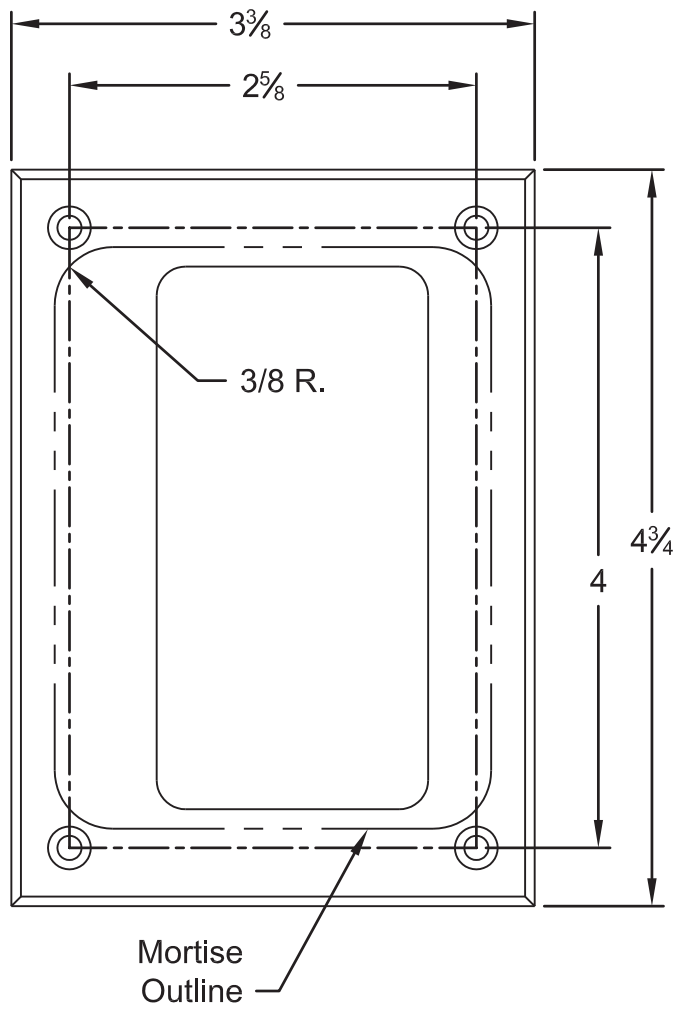


459 FLUSH PULL TEMPLATE



Mortise Dimensions:
2 13/16 x 3 3/4 x 11/16 Deep



NOTE: Due to occasional product changes, please ensure your template is current by checking our website at www.burnsmfg.com or call us at 814-833-7428. Burns Mfg. is not responsible for obsolete template errors.

Date: 4/10 - Rev. 1