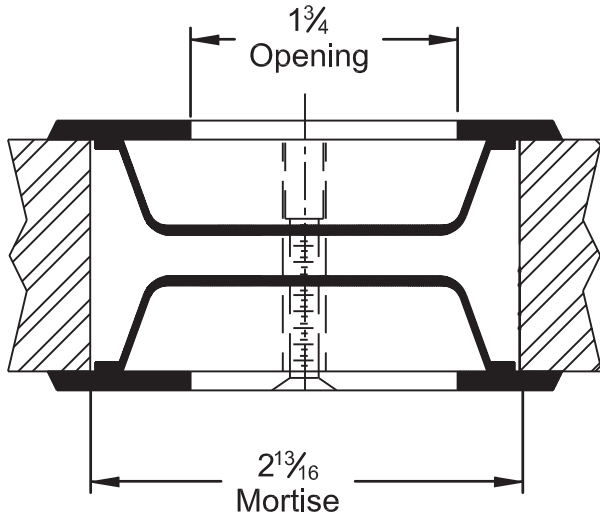
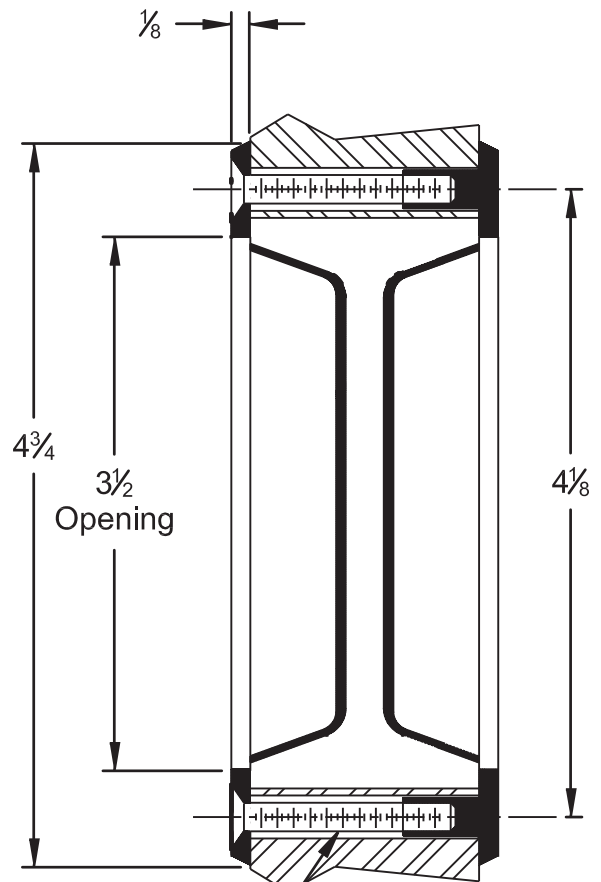
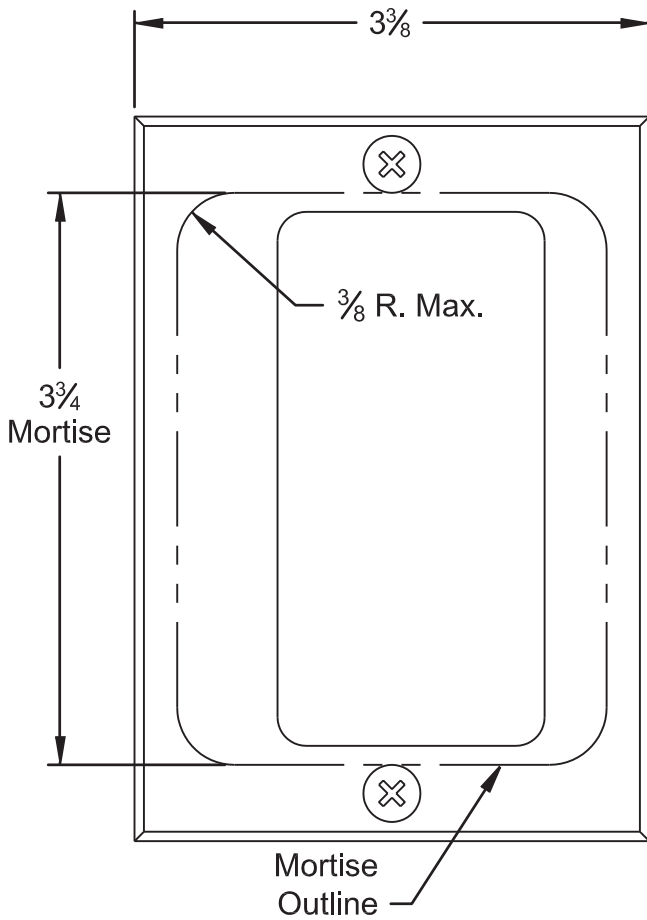


**459P X 459L FLUSH PULL TEMPLATE**



Mortise Dimensions:  
2 13/16 x 3 3/4



#10-32 FHMS. (2)

**NOTE:** Due to occasional product changes, please ensure your template is current by checking our website at [www.burnsmfg.com](http://www.burnsmfg.com) or call us at 814-833-7428. Burns Mfg. is not responsible for obsolete template errors.

**Date: 4/10 - Rev. 1**