

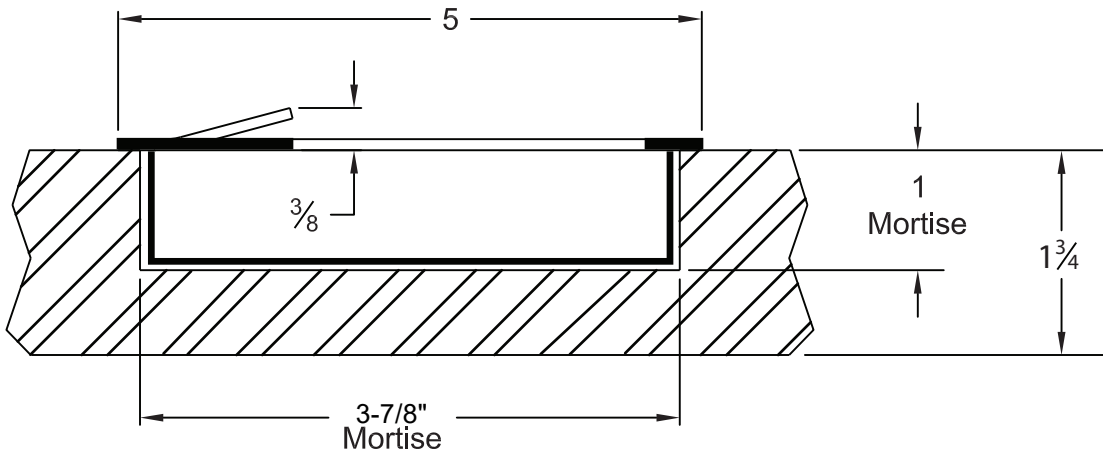
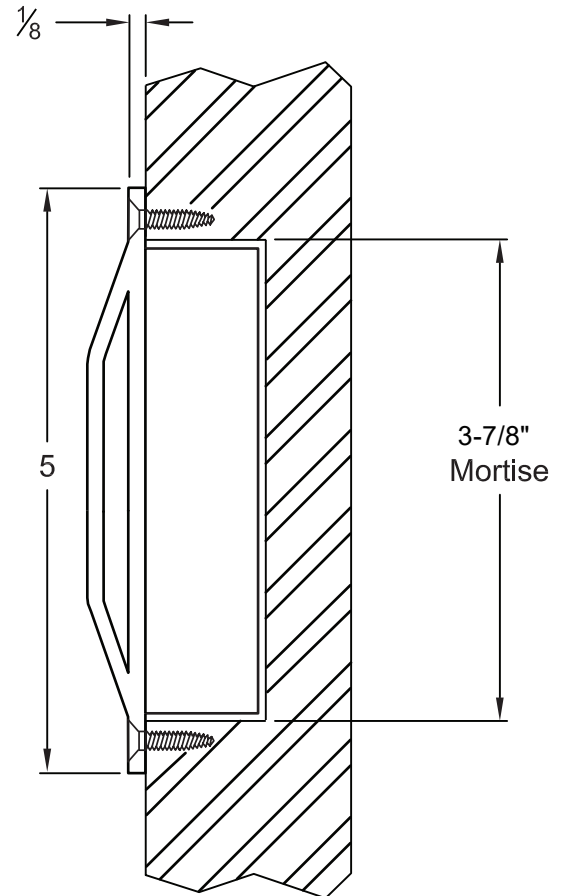
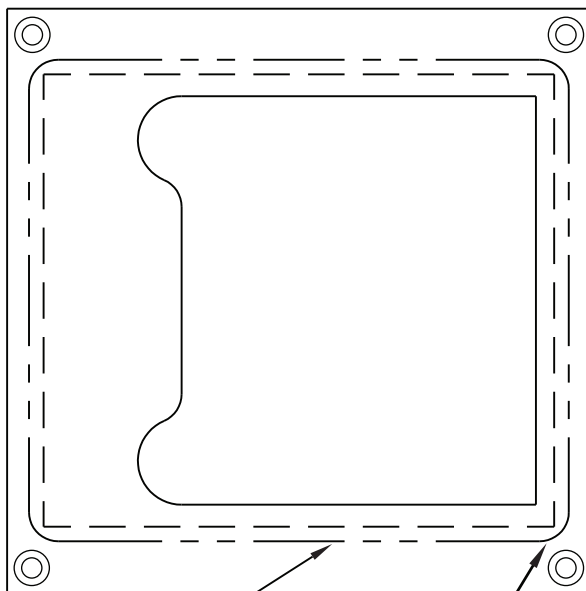
## 460S FLUSH PULL TEMPLATE



ADA Compliant -  
Wheelchair Accessible

Mortise Dimensions:

3-7/8" x 3-7/8" x 1" DEEP



**NOTE:** Due to occasional product changes, please ensure your template is current by checking our website at [www.burnsmfg.com](http://www.burnsmfg.com) or call us at 814-833-7428. Burns Mfg. is not responsible for obsolete template errors.

**Date: 07/16- Rev. 1**