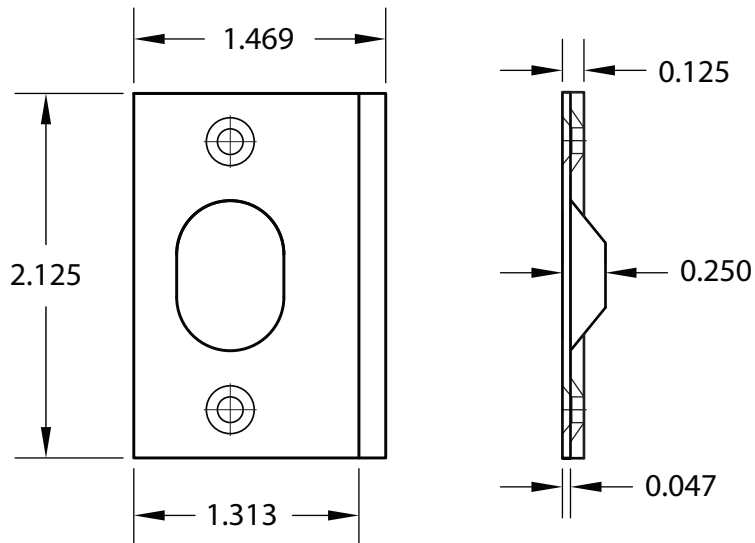
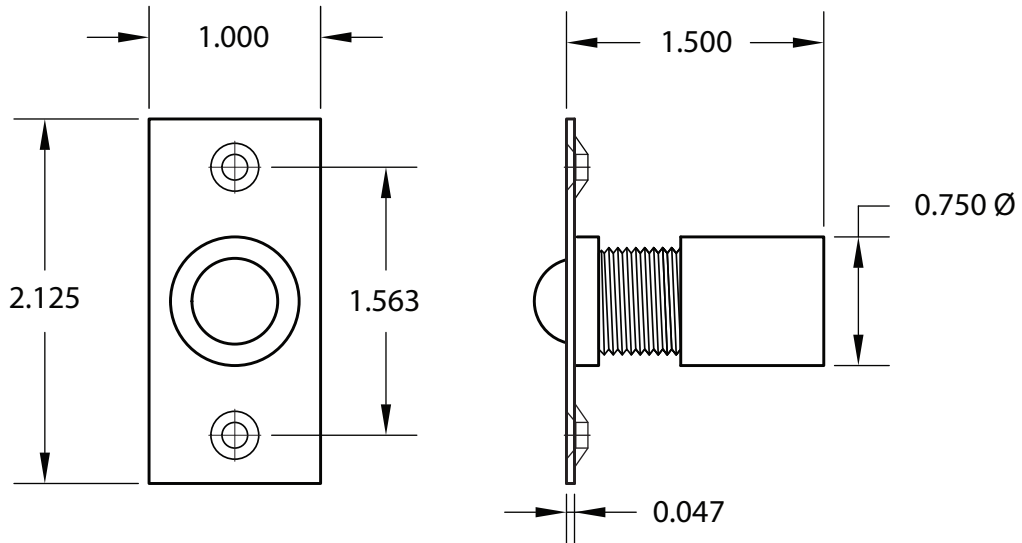


554 ADJUSTABLE BALL CATCH TEMPLATE



NOTE: Due to occasional product changes, please ensure your template is current by checking our website at www.burnsmfg.com or call us at 814-833-7428. Burns Mfg. is not responsible for obsolete template errors.

Date: 08/18 - Rev. 1