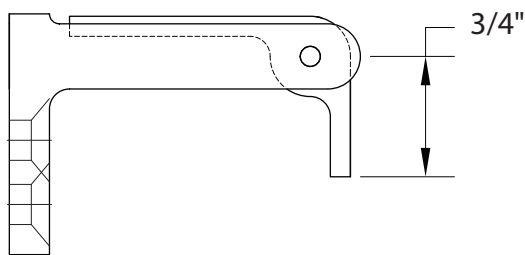
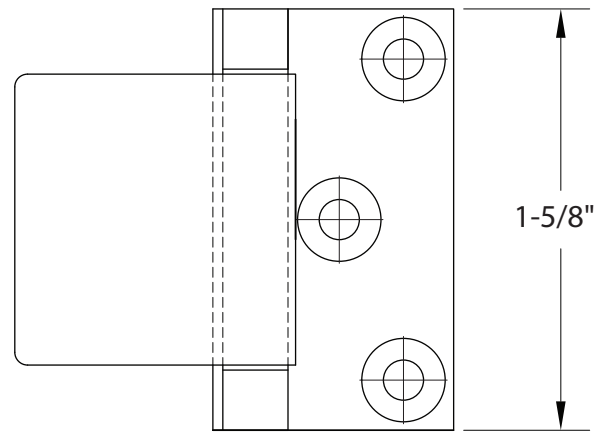
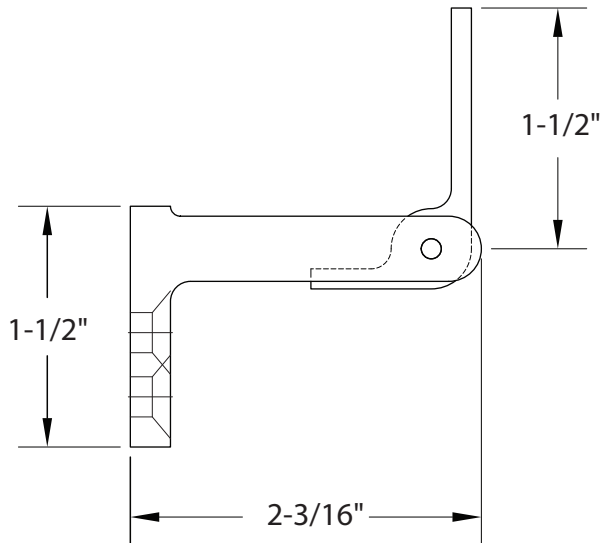


## 579 SECURITY DOOR GUARD TEMPLATE

**Overall Size:** 1-1/2" x 2-3/16" x 1-1/2"

**Mounting Instructions:**

1. Consider disabled persons accessibility when determining mounting height.
2. Drill 5/32" pilot holes; 3 - #12 x 1-1/2" FHWS.
3. Mount to door frame.



**NOTE:** Due to occasional product changes, please ensure your template is current by checking our website at [www.burnsmfg.com](http://www.burnsmfg.com) or call us at 814-833-7428. Burns Mfg. is not responsible for obsolete template errors.

**Date:** 10/17 - Rev. 3