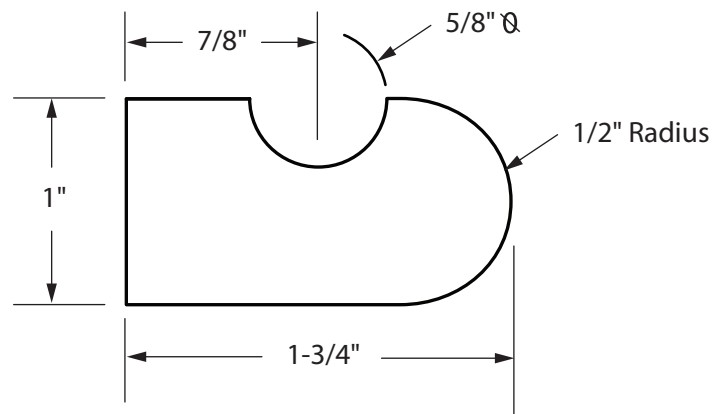


## 607 COAT & HAT HOOK TEMPLATE

**Overall Size:** 1" x 1-3/4" Projection



**NOTE:** Due to occasional product changes, please ensure your template is current by checking our website at [www.burnsmfg.com](http://www.burnsmfg.com) or call us at 814-833-7428. Burns Mfg. is not responsible for obsolete template errors.

**Date:** 06/16 - Rev. 1