

## 616 POCKET DOOR EDGE PULL TEMPLATE

**Material:** Cast Brass

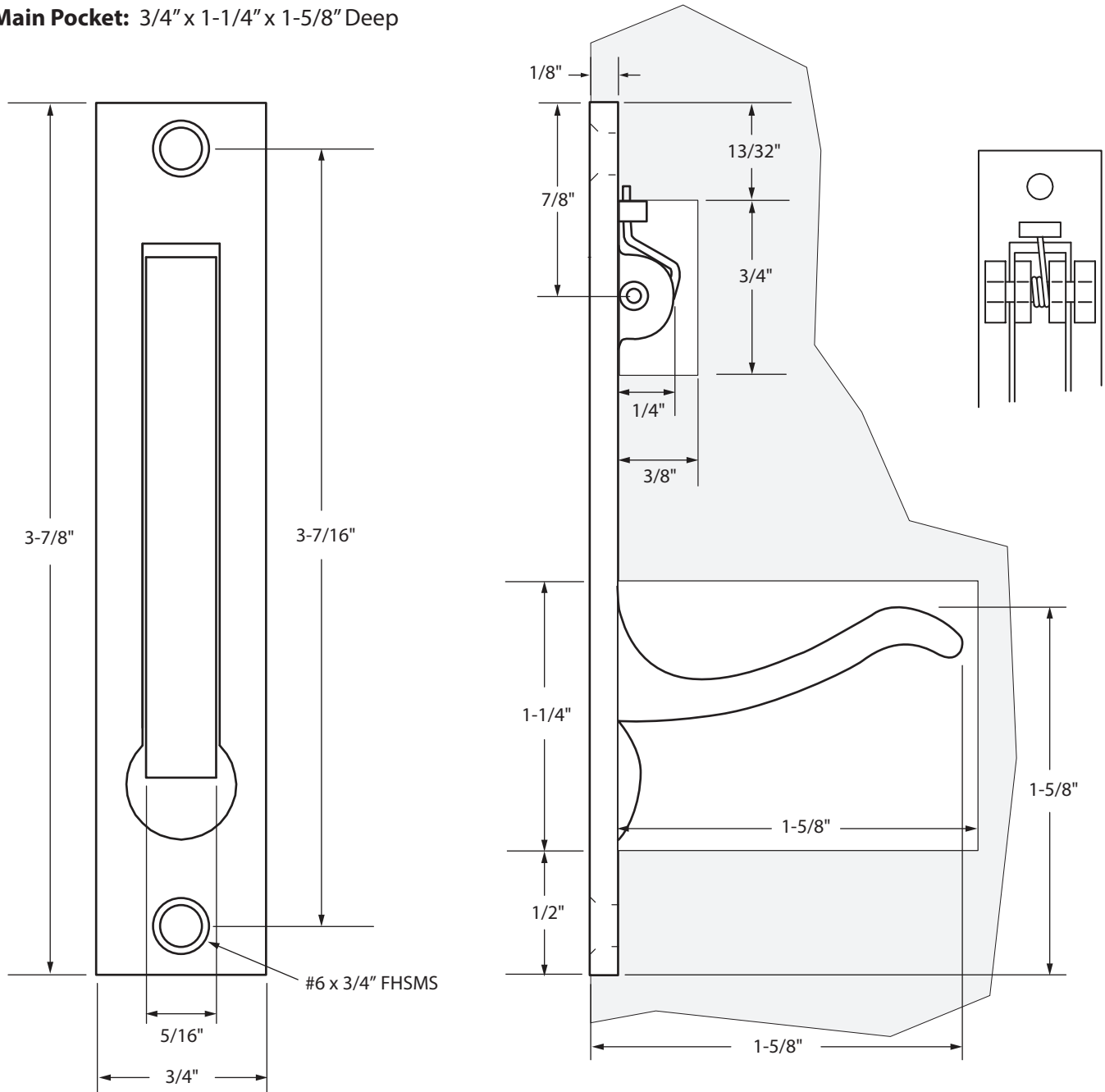
**Overall Size:** 3/4" x 3-7/8"

**Mortise Information:**

**Face:** 3/4" x 3-7/8" x 1/8" Deep

**Top Pocket:** 3/4" x 3/4" x 3/8" Deep

**Main Pocket:** 3/4" x 1-1/4" x 1-5/8" Deep



**NOTE:** Due to occasional product changes, please ensure your template is current by checking our website at [www.burnsmfg.com](http://www.burnsmfg.com) or call us at 814-833-7428. Burns Mfg. is not responsible for obsolete template errors.

**Date:** 11/15 - Rev. 1