

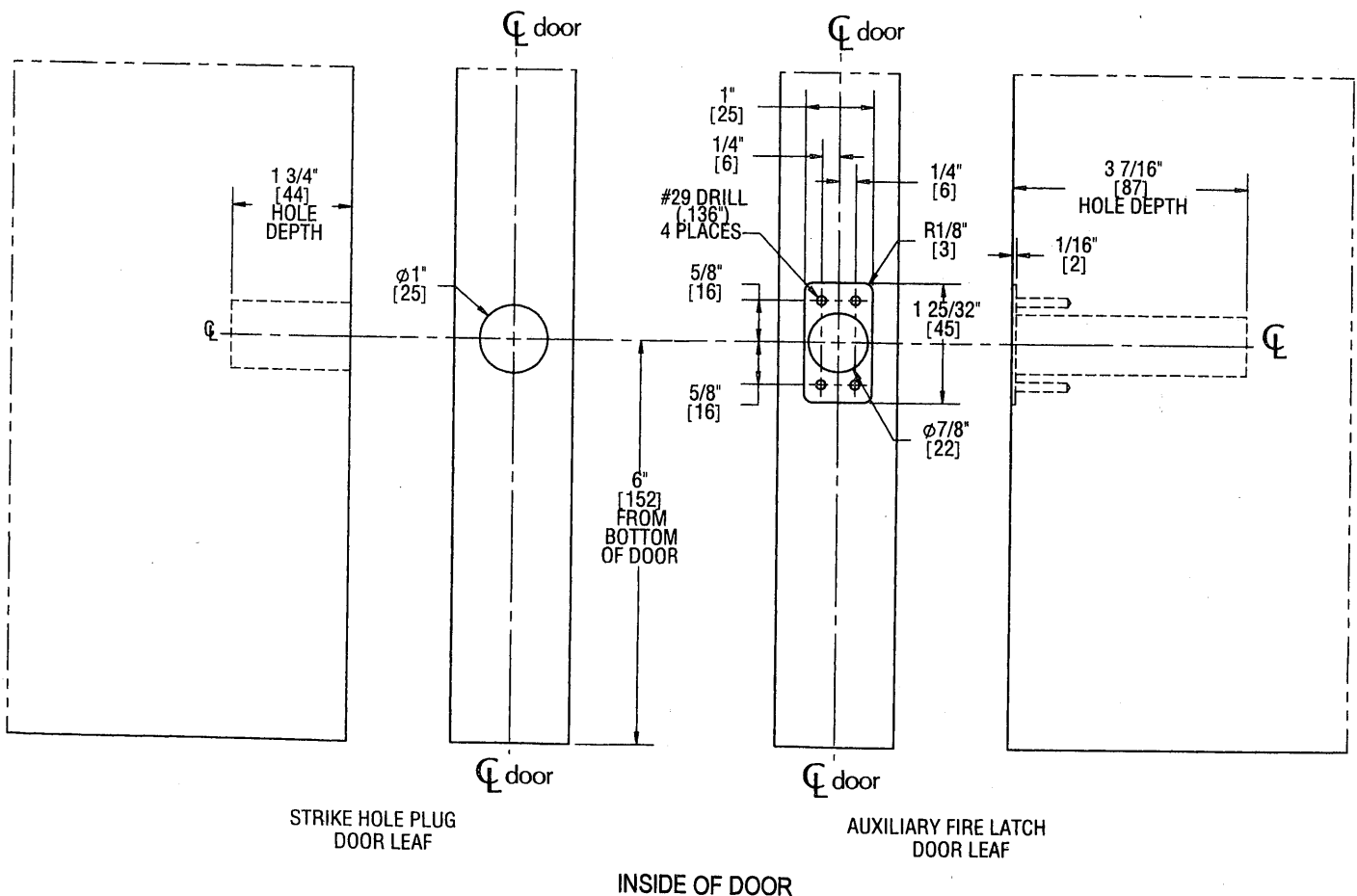
Auxiliary Fire Latch Installation Instructions

Step A: Prepare Auxiliary Fire Latch mounting holes on the right door leaf

1. Mark horizontal centerline 6" [152 mm] from the bottom of door.
2. Mark vertical centerline at center of door thickness.
3. Drill a 7/8" [22 mm] diameter by 3-7/16" [87 mm] deep hole in the right door leaf.
4. Insert *auxiliary fire latch* in the hole keeping it parallel to face of door.
Mark outline of latch face plate and remove the latch.
5. Recess 3/32" [2 mm] for flush fit of latch face plate with door edge.
6. Pre-drill screw holes with a 1/8" drill.

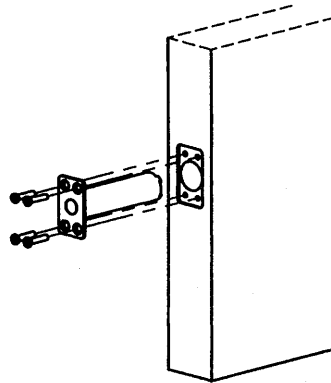
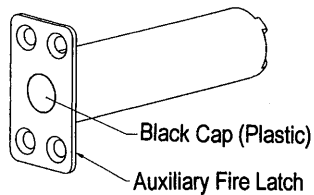
Step B: Prepare Strike Hole Plug mounting hole on the left door leaf

1. Mark horizontal centerline as same as the *auxiliary fire latch*.
2. Mark vertical centerline at center of door thickness.
3. Drill a 1" [25 mm] diameter by 1-3/4" [44.5 mm] deep hole in the left door leaf.



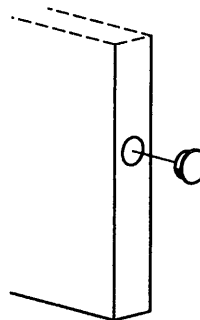
Step C: Install Auxiliary Fire Latch

1. Insert the *auxiliary fire latch* and use provided screws to secure it.
2. Screws is #8-32 x 3/4" [19 mm] undercut flat head combo screws (for metal or wood door application).



Step D: Install Strike Hole Plug

1. Insert the *strike hole plug* into the 1" [25 mm] hole in the left door leaf.
2. The self-adjusting tabs on the *strike hole plug* will lock in place to secure the plug.



Step E: Check Installation

1. Close both doors and verify *auxiliary fire latch* and *strike hole plug* are lined up.
2. Be sure the door gap directly in front of the *auxiliary fire latch* is not covered with a door edge guard.