

## 78BFB BOTTOM FIRE BOLT TEMPLATE

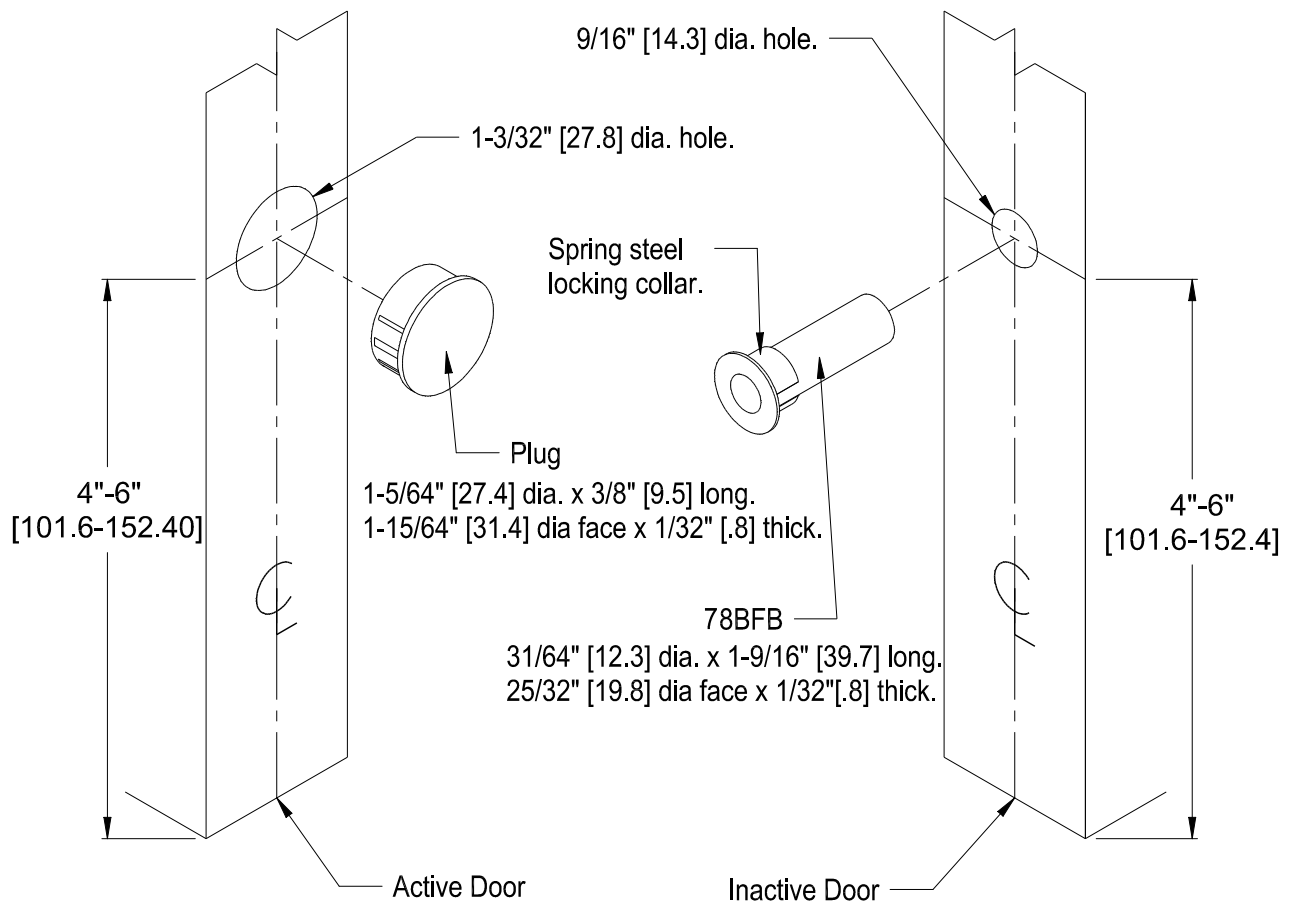
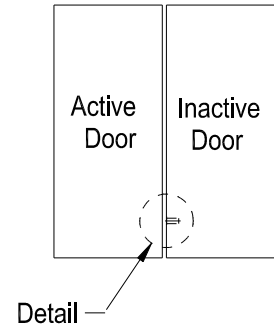
### Installation Instructions

#### Inactive Door

1. Measure 4"- 6" [101.6 - 152.4] from bottom of the Inactive Door.
2. Drill a 9/16" [14.3] dia. hole x 1-5/8" [41.3] deep for 78BFB.
3. Install 78BFB by striking squarely with a hammer.

#### Active Door

1. Drill a 1-3/32" [27.8] dia. hole x 7/8" [22.2] deep for Plug at the same height as the 78BFB.
2. Install plug in door by striking with a hammer.



**IMPORTANT:** The 78BFB will project during a fire. Do not cover with any edge mounted door hardware.