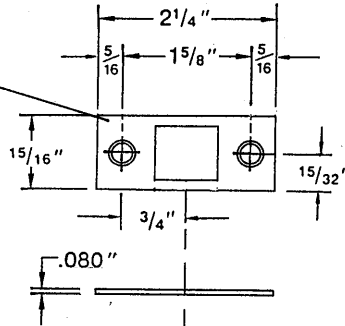


AUTOMATIC FLUSH BOLTS (FOR WOOD DOORS APPLICATION)

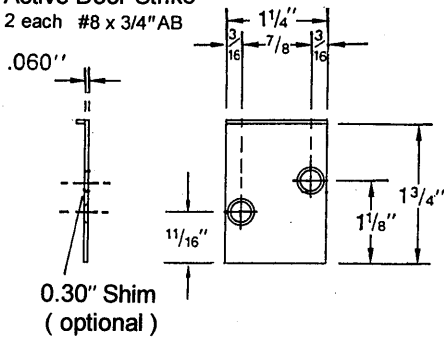
TOP BOLT SHOWN

Frame & Sill Strike
2 each #8 x 3/4" AB



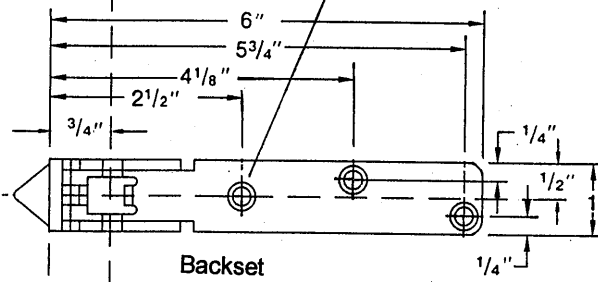
DIMENSIONS SHOWN ON THIS TEMPLATE ARE FOR TOP FLUSH BOLT

Active Door Strike
2 each #8 x 3/4" AB

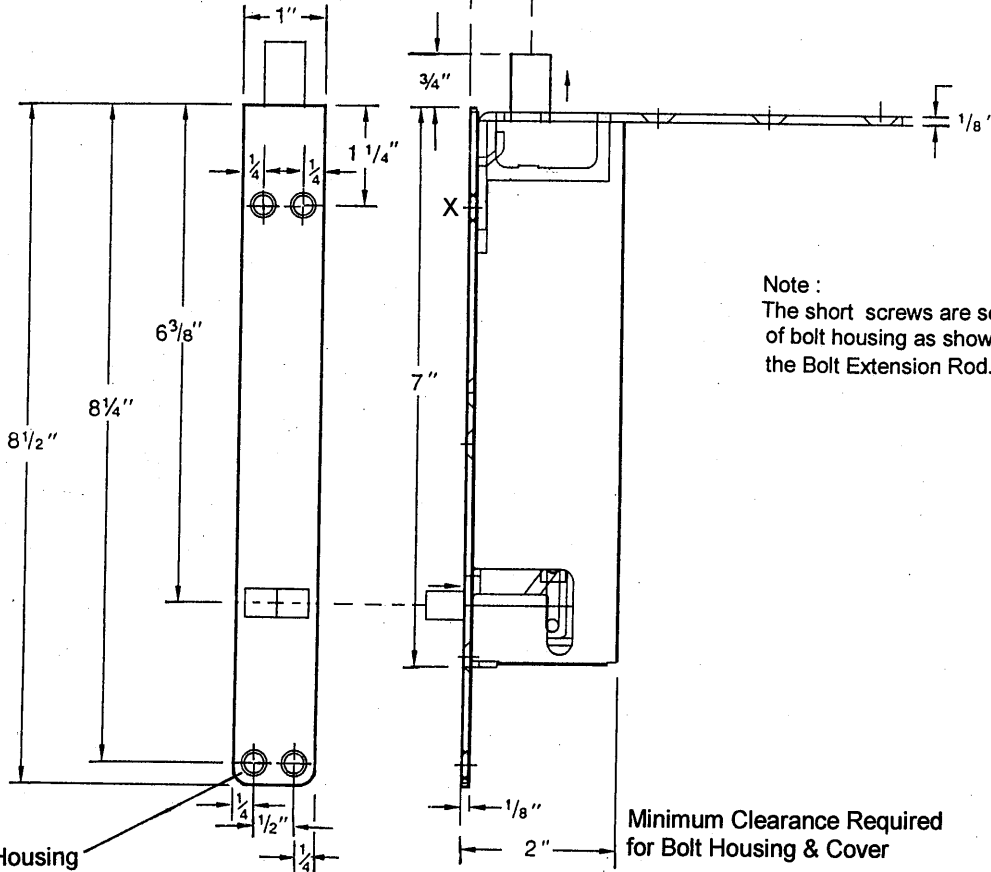


0.30" Shim
(optional)

Top & Bottom
Bolt Hd. Guide
3 each #10 x 1" AB



Backset



Bolt Housing
2 each #8 x 3/4" AB
2 each #8-32 x 1/4" UNC (Note)

Minimum Clearance Required
for Bolt Housing & Cover

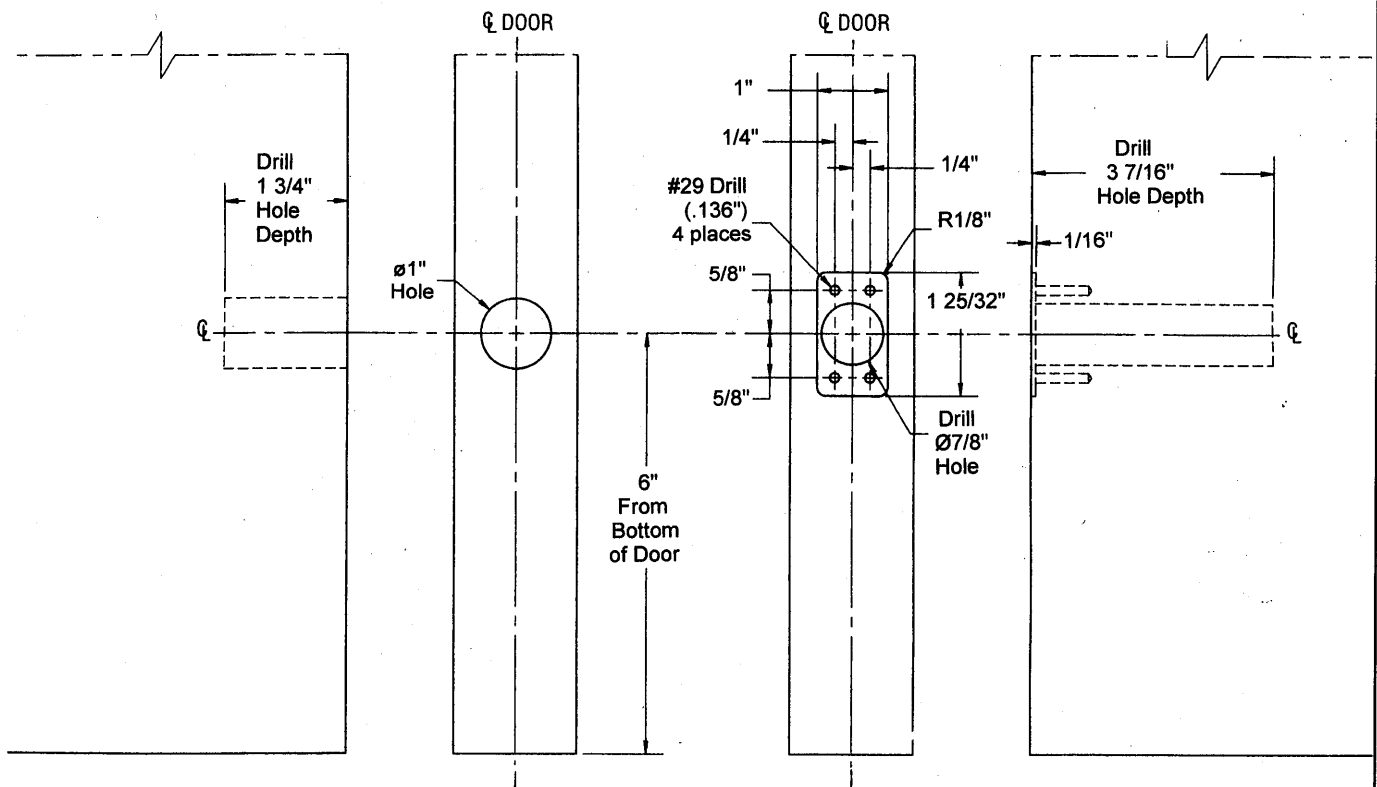
Note :
The short screws are seated into the holes
of bolt housing as shown mark X, where
faces the Bolt Extension Rod.

SCREW DETAILS : #8-32 x 1/4" UNC - flat countersunk head machine screw, total 2 pcs.

#8 x 3/4" AB - undercut flat countersunk head, dual purpose machine/tapping screw, total 6 pcs.

DIMENSIONS SHOWN ON THIS PAGE
ARE FOR FIRE LATCH BOLT USE.

BOTTOM BOLT SHOWN

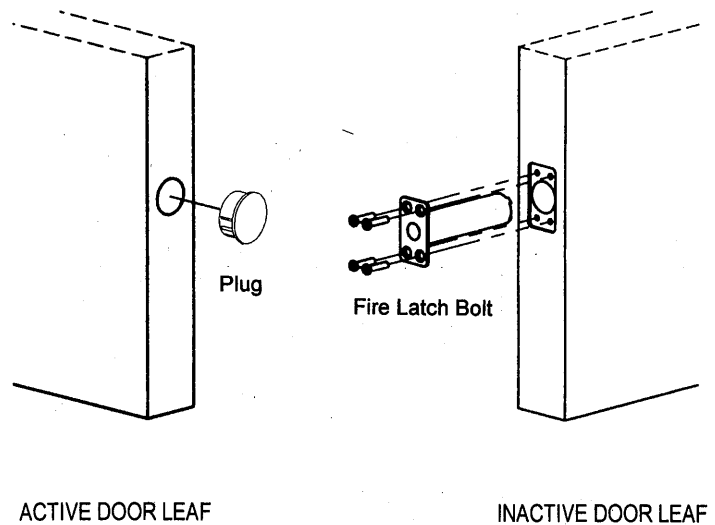


STRIKE HOLE PLUG
ON ACTIVE DOOR LEAF

FIRE LATCH BOLT HOLE
ON INACTIVE DOOR LEAF

Fire Latch Bolt Mounting Instructions

- A. Insert fire latch bolt into the hole in the inactive door leaf, then secure it by provided screws.
- B. Insert plug into the 1" DIA. strike hole as shown.



ACTIVE DOOR LEAF

INACTIVE DOOR LEAF

CAUTION:

The fire latch bolt will project during a fire.
Do not cover with any edge mounted door hardware.