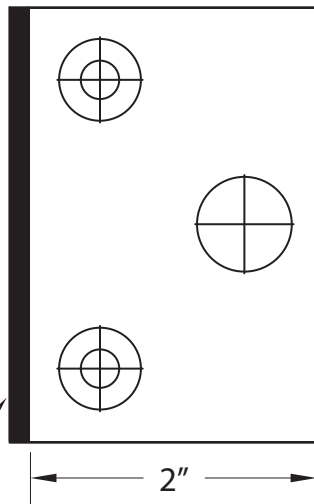
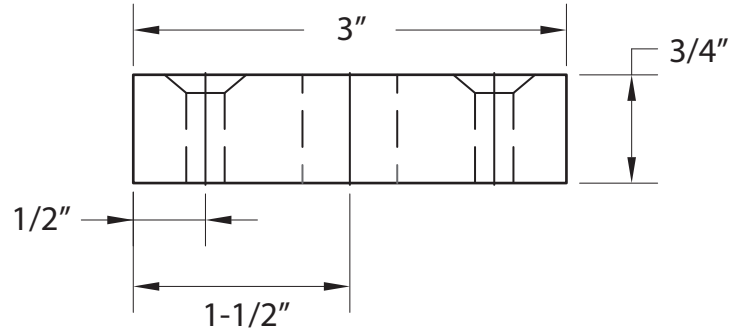
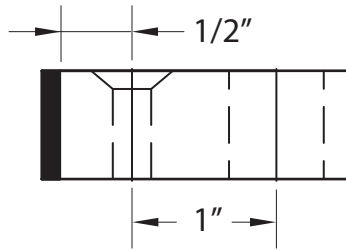


## 904 TOP STRIKE TEMPLATE

*For 9000 Series Locking Pulls*



1/8" black adhesive backed rubber

**NOTE:** Due to occasional product changes, please ensure your template is current by checking our website at [www.burnsmfg.com](http://www.burnsmfg.com) or call us at 814-833-7428. Burns Mfg. is not responsible for obsolete template errors.

**Date:** 08/19 - Rev. 1