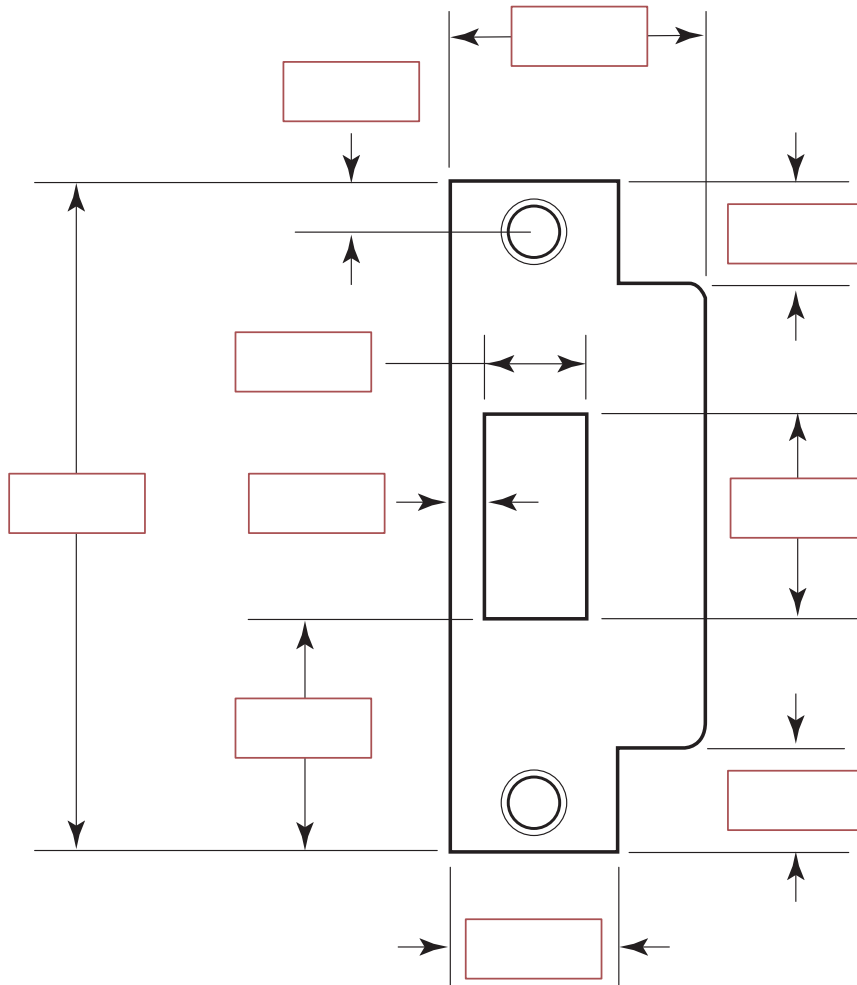


CUSTOM STRIKE ORDER FORM



Additional Ordering Information

- 2-Latch Holes - add second hole and include necessary measurements
- Available Finishes* - US3, US4, US10, US10B, US32, US32D
- Handing** - Left Hand = LH; Right Hand = RH (shown)

Quantity	Finish*	Handing**	Lip (flat or curved)	Screw Size
EXAMPLE 10	US32D	LH	Flat	12-24 x 1/2"

Contact: _____ **Customer:** _____ **PO#:** _____

Date: _____ **Approved By:** _____

NOTE: Due to occasional product changes, please ensure your template is current by checking our website at www.burnsmfg.com or call us at 814-833-7428. Burns Mfg is not responsible for obsolete template errors.

Date: 2/19 - Rev. 1