

Automatic Flush Bolt

Model No.: FB820

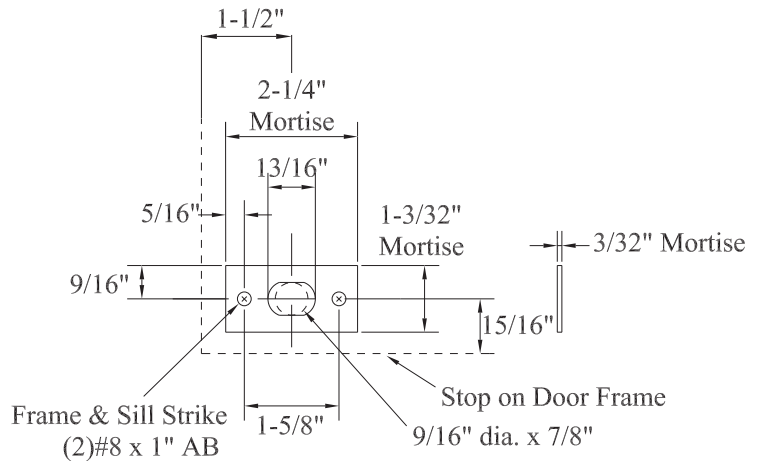
FB810 = Single Bolt
FB820 = Set of Bolts

For door preparation:

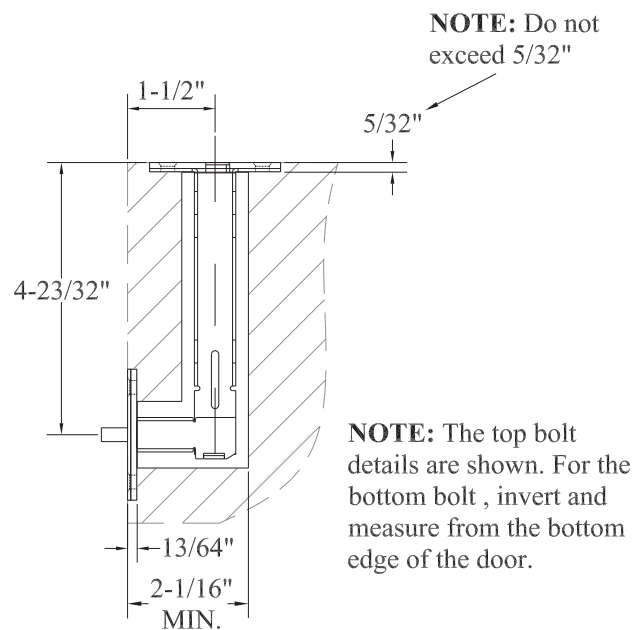
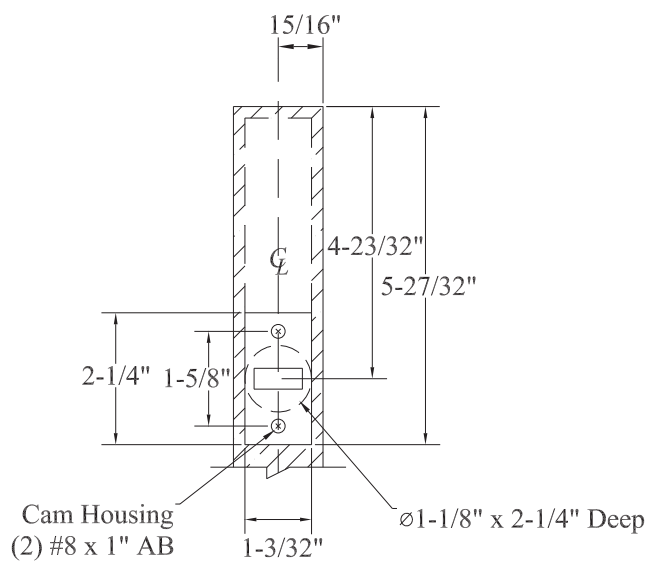
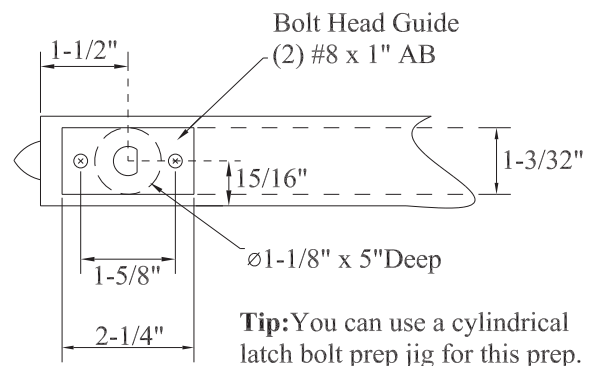
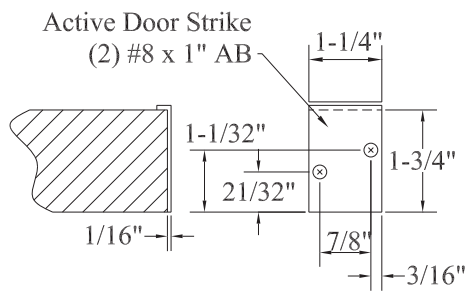
The flush bolts are intended for use with classified hollow-metal steel stiffened doors rated up to and including 3 hours; wood/plastic-covered composite doors rated up to and including 1-1/2 hours; and wood core doors rated 20 minutes.

For applications of more than 1-1/2 hours, hollow-metal steel stiffened doors shall be provided with an overlapping astragal.

NON-HANDED FOR INACTIVE DOOR



INACTIVE DOOR



NOTE: The top bolt details are shown. For the bottom bolt, invert and measure from the bottom edge of the door.

Tip: You can use a cylindrical latch bolt prep jig for this prep.

Not To Scale

SCREW DETAILS: #8 x 1" AB (#8-32P FHMS) - Undercut flat countersunk head, dual purpose machine/tapping screw, total 8 pcs.