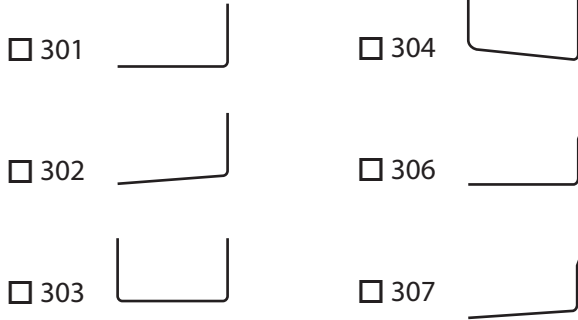


DOOR EDGE HINGE CUT TEMPLATE

Door Edge Part No:



Size:

A = _____

B = _____

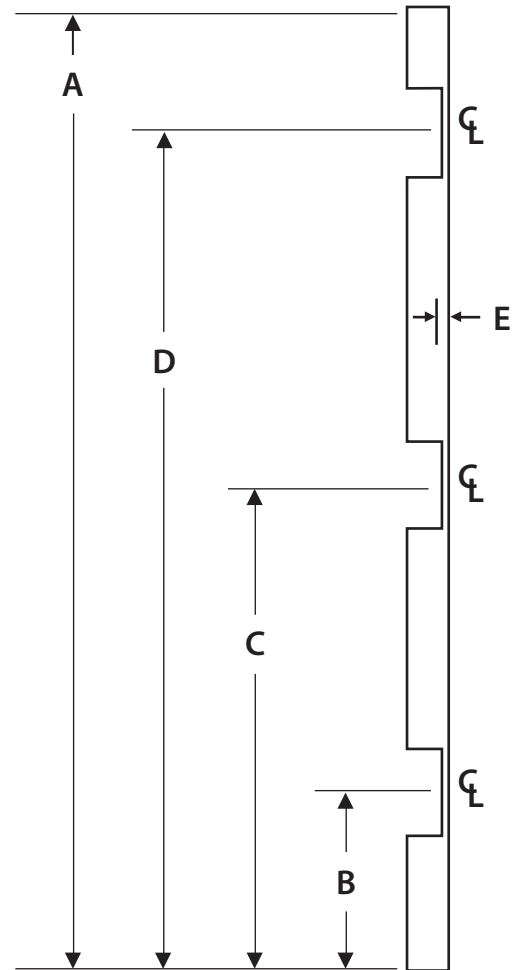
C = _____

D = _____

E = _____

Hinge Size: _____

Door Thickness: _____



Contact: _____

Customer: _____

PO#: _____ Quote #: _____

Finish: _____ **QUANTITY:** LH: _____ LHR: _____ RH: _____ RHR: _____

Approved By: _____ Date: _____

NOTE: Due to occasional product changes, please ensure your template is current by checking our website at www.burnsmfg.com or call us at 814-833-7428. Burns Mfg. is not responsible for obsolete template errors.

Date: 8/15 - Rev. 2