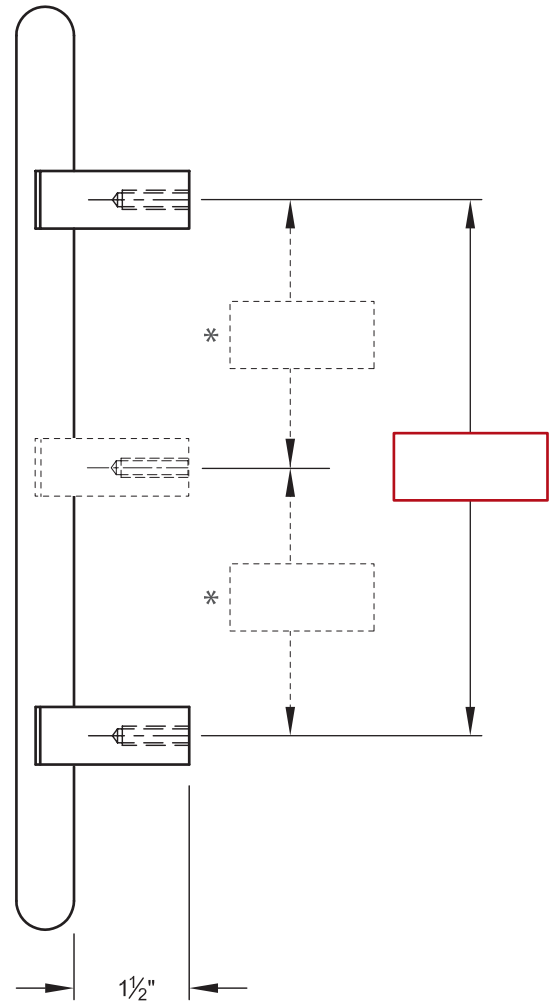
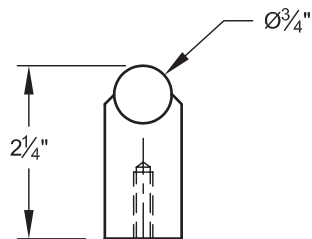
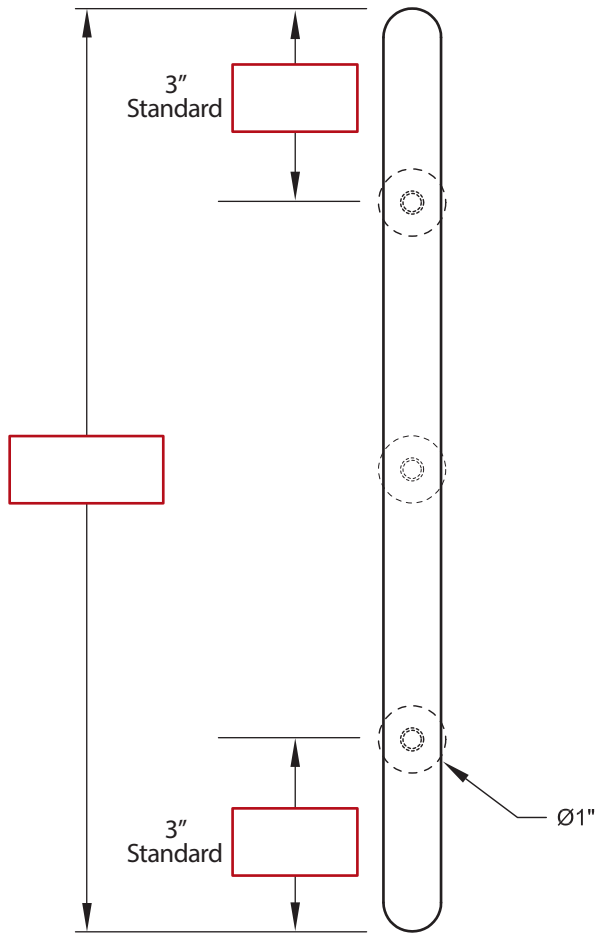


**VP4370 VERTICAL DOOR PULL TEMPLATE**

***Straight Oversize Post Mount, Round Ends***

\* Optional Intermediate Post recommended for spans over 80"  
Add suffix: "IP" (VP4370-IP)



Contact: \_\_\_\_\_

Customer: \_\_\_\_\_

PO#: \_\_\_\_\_ Quantity: \_\_\_\_\_

Door Type: \_\_\_\_\_ Door Thickness: \_\_\_\_\_

Finish: \_\_\_\_\_ Mounting: \_\_\_\_\_

Approved By: \_\_\_\_\_ Date: \_\_\_\_\_

**NOTE:** Due to occasional product changes, please ensure your template is current by checking our website at [www.burnsmfg.com](http://www.burnsmfg.com) or call us at 814-833-7428. Burns Mfg. is not responsible for obsolete template errors.

**Date: 7/15 - Rev. 2**